



10" DTH HAMMER

STENUICK10M

CATEGORY

Drilling equipment

FEATURES

Recommended for:
 - water well drilling
 - geothermal
 - foundations

TECHNICAL CHARACTERISTICS

Top thread: 6"5/8 REG Pin
 Outside diameter: 223 mm
 Length: 1390 mm
 Bit shank: SD10
 Pressure range: 7 to 24 bars
 Bit range: 254 to 381 mm
 Weight: 350 kg



AIR CONSUMPTION

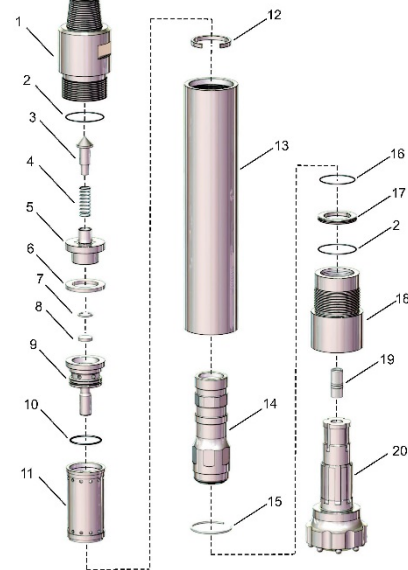
Pressure		Air consumption	
bar	psi	bar	psi
7	100	11.3	400
10	150	18.7	660
14	200	26.0	920
17	250	34.9	1230
24	350	48.5	1710

BIT FOR STENUICK10M / SD10

Diameter		Bit types			Weight (kg)
mm	inch	1	2	3	Weight (kg)
254	10"			●	84.7
279	11"			●	97.0
305	12"			●	103.0
311	12"1/4			●	107.0
381	15"			●	146.0

SPARE PARTS LIST

Rep.	Reference	Designation
	STENUICK10M	Marteau 10" SD10
1	STEN10REP01	Top adaptor
2	STEN10REP02	O ring
3	STEN10REP03	NR valve
4	STEN10REP04	NR valve spring
5	STEN10REP05	NR valve housing
6	STEN10REP06	Spacer
7	STEN10REP07	Circlips
8	STEN10REP08	Plug
9	STEN10REP09	Air distributor
10	STEN10REP10	O ring
11	STEN10REP11	Liner
12	STEN10REP12	Snap ring
13	STEN10REP13	Cylinder
14	STEN10REP14	Piston
15	STEN10REP15	Snap ring
16	STEN10REP16	O ring
17	STEN10REP17	Bit retaining rings
18	STEN10REP18	Chuck
19	STEN10REP19	Foot valve
20		Bit



34, rue des Châtelliers
 BP 2803
 45028 Orléans Cedex 1
 Téléphone : 02 38 86 50 46
 Télécopie : 02 38 86 78 91
 Email : stenuick@stenuick.fr
 Site : www.stenuick.fr

IMPORTANT:

The technical characteristics can be modified without advance notice